

# Needle valves series SPV

Micrometric regulation needle valves of series SPV are manufactured to guarantee an accurate regulation of the flow in the pipeline.

By manually rotating the tap is possible to regulate the orifice opening area which is accurately adjusted by a conical shutter.

Needle valve SPV is suitable to control every kind of not corrosive gas and liquid fluids and is in conformity for application with gas belonging to the first, second and third family.



## TECHNICAL FEATURES

<b>Diameters</b>	From Rp 1/4" to Rp 4"
<b>Body valve material</b>	Bronze
<b>Stem material</b>	Forged brass
<b>Packing material</b>	Fiber AF15
<b>Sealing gasket material</b>	IT200 according to DIN 3754
<b>Max working pressure</b>	20 bar
<b>Max working temperature</b>	-10÷100 °C

## MODELS

**SPV** = Needle valve

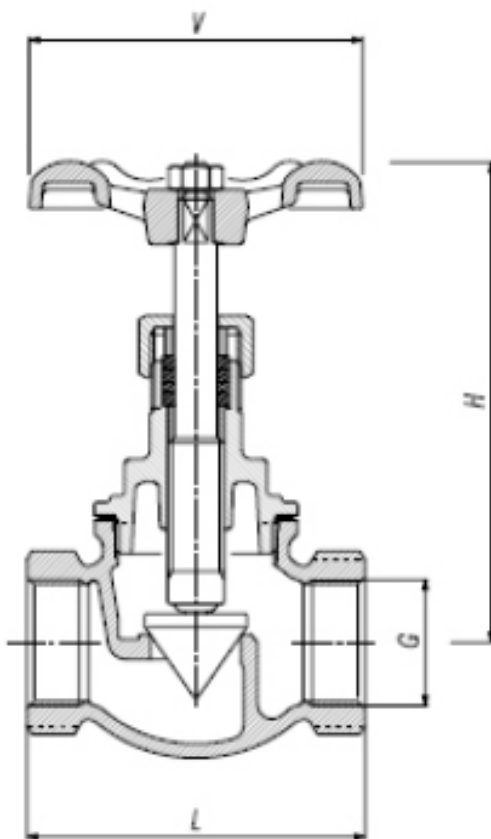
### Nominal diameter

6 = Rp 1/4"	32 = Rp 1.1/4"	65 = Rp 2.1/2"
10 = Rp 3/8"	40 = Rp 1.1/2"	80 = Rp 3"
15 = Rp 1/2"	50 = Rp 2"	100 = Rp 4"
20 = Rp 3/4"		
25 = Rp 1"		

SPV

20

## DIMENSIONS



Dimensions in mm

$\emptyset$	V	H	L
1/4"	50	80	42
3/8"	50	95	56
1/2"	55	97	58
3/4"	60	109	70
1"	65	127	84
1.1/4"	75	149	92
1.1/2"	80	158	107
2"	90	174	126
2.1/2"	120	225	135
3"	120	255	146
4"	175	320	190

All the reported data are subject to be changed without notice.

from 140918

**econex**

Econex s.r.l. - Via Francesco De Sanctis, 53 - I-20141 Milano  
Tel. +39 0289502912 - Fax +39 028463084 - [www.econex.it](http://www.econex.it) - [info@econex.it](mailto:info@econex.it)