

Pressure switches series FCG

FCG half size gas and air pressure switches monitor pressure and interrupt electrical control circuit by over and under pressure than desired set points.

Pressure settings are easy to read and to adjust.

The switches are sturdy and produced with a durable plastic electrical enclosure and a die-cast aluminium basis. FCG are **CE** approved, according to norms EN1854.



TECNICAL DATA

Housing	Die-cast aluminium
Switch	Polyamide
Diaphragms	NBR
Ambient temperature	-15 ÷ +60° C
Max. operating pressure	690 mbar
Electrical rating	6A @ 250 VAC
Enclosure	IP54 according to IEC 529
Electrical connection	3 pin connector for line sockets – DIN EN 175 301-803 (without earthing)
Pressure connection	1/4" BSP thread
Max peak pressure	1 bar

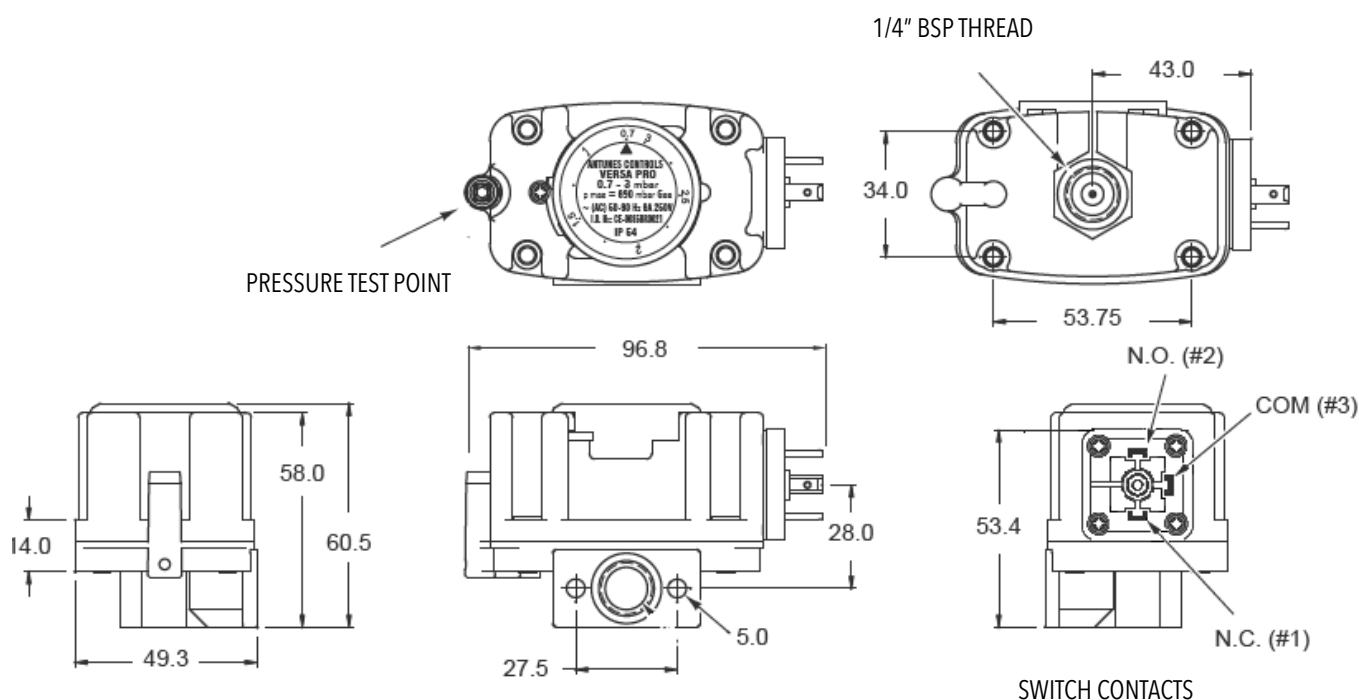
FEATURES

- Compact design
- Accurate
- Adjustable set points
- Diaphragm on safety limit switch
- Vent less
- Removable transparent adjustment knob cover
- Pressure test point incorporated in the Ø 9 mm metal body

MODELS

Model	Range	Max. pressure	Switch differential
FCG 003	0.7 - 3 mbar	690 mbar	≤ 0.7
FCG 010	2 - 10 mbar	690 mbar	≤ 1
FCG 050	2.5 - 50 mbar	690 mbar	≤ 2.5
FCG 150	5 - 150 mbar	690 mbar	≤ 5

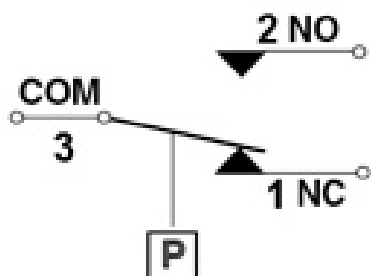
DIMENSIONS



WIRING

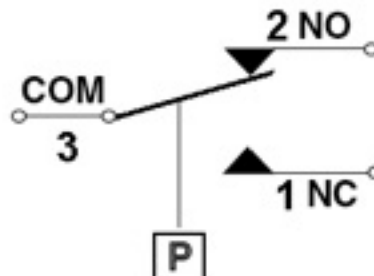
Electrical wiring EN 60730 with plug EN 175 301-80

Example 1



When pressure rises over set point
1 NC opens, 2 NO closes

Example 2



When pressure goes below set point
1 NC closes, 2 NO opens

All the reported data are subject to be changed without notice.

form140918