

Relief Valve series MVS

Pressure relief valve of series MVS are suitable for application on domestic and industrial combustion plants for automatic pressure release for peaks of the flow of gases belonging to the first, second and third family.

They are normally applied on the most common combustion plants like furnaces, boilers, dryers and compact burners.

Relief valve of series MVS are manufactured in conformity to PED directive 97/23/CE and to ATEX rule 94/9/CE - Zone 2 and 22 (II 2G - II2D).



TECHNICAL FEATURES

Body valve	Die-caste aluminium
Membrane	NBR rubber
Thread connections	Rp 3/4÷2 according to EN 10226
Flanged connections PN16	DN25÷DN150 according to norm ISO 7005
Flanged connections ANSI 150	Available on request
Max Inlet Pressure	1, 1.5, 2.5 and 6 bar
Relief set pressure	Various ranges of springs available. Please check tables in next pages
Ambient temperature	-15 ÷ +60 °C
Mechanical resistance	Group 2

FEATURES

- Installation in horizontal or vertical position
- Easy installation, spring regulation and maintenance
- Special execution for biogas on request

MODELS

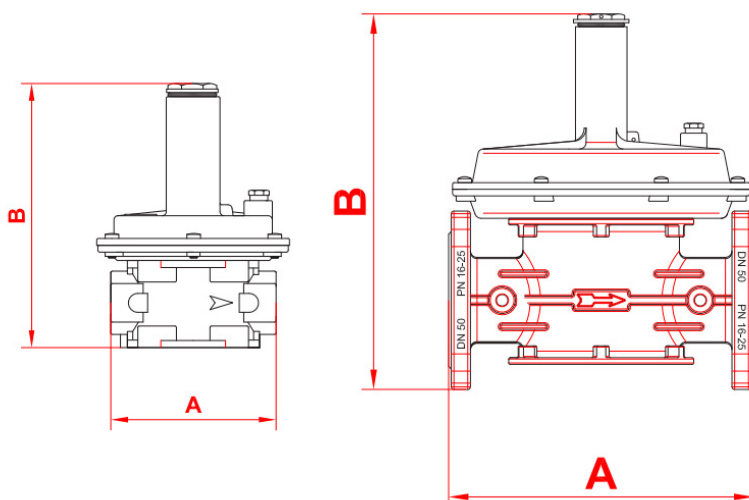
MVS = Relief Valve

<p>Max Pressure</p> <p>1 = 1 bar 1.5 = 1.5 bar 2.5 = 2.5 bar 6 = 6 bar</p>	<p>Connection</p> <p>20 = Rp3/4 25 = Rp 1 32 = Rp 1. 1/4 40 = Rp 1. 1/2 50 = Rp 2 25F = DN25 flanged 32F = DN32 flanged 40F = DN40 flanged 50F = DN50 flanged</p>	<p>Spring range check table</p>	
MVS	2,5	20	C

SPRING RANGE

	3/4" - 1"	1.1/4" - 1.1/2"	2"
A	16÷37 mbar	-	-
B	30÷110 mbar	30÷110 mbar	35÷135 mbar
C	100÷160 mbar	100÷170 mbar	110÷200 mbar
D	140÷215 mbar	160÷300 mbar	200÷400 mbar
E	215÷500 mbar	260÷500 mbar	320÷500 mbar
F	200÷1000 mbar	-	-
G	700÷2100 mbar	-	-

DIMENSIONS



Rp o DN	A	B	Weight (Kg)
3/4	120	192	1,1
1	120	192	1,1
DN25	192	225	3,8
1.1/4 - 1.1/2	160	194	1,6
DN32-40	230	285	2,8
2	160	258	3,1
DN50	230	285	4,3

All the reported data are subject to be changed without notice.

form141001

econex

Econex s.r.l. - Via Francesco De Sanctis, 53 - I-20141 Milano
 Tel. +39 0289502912 - Fax +39 028463084 - www.econex.it - info@econex.it