

# Modulating control valves series MDV-D1

Modulating control valves of the MDV-D1 series are built according to the EN 161 norms to be used on industrial combustion systems.

They are particularly suitable for the proportional regulation of all combustion gas flows of the first, second and third family and of air. The electric motor is unipolar and bidirectional, with high static and maintaining torque for 3-position-control, or proportional with analogic input control signal current or voltage change.

The exact linear rating is achieved by means of particular, patented shutter disks, rotating on the same axis. Six different orifice sizes are available according to the operating conditions.



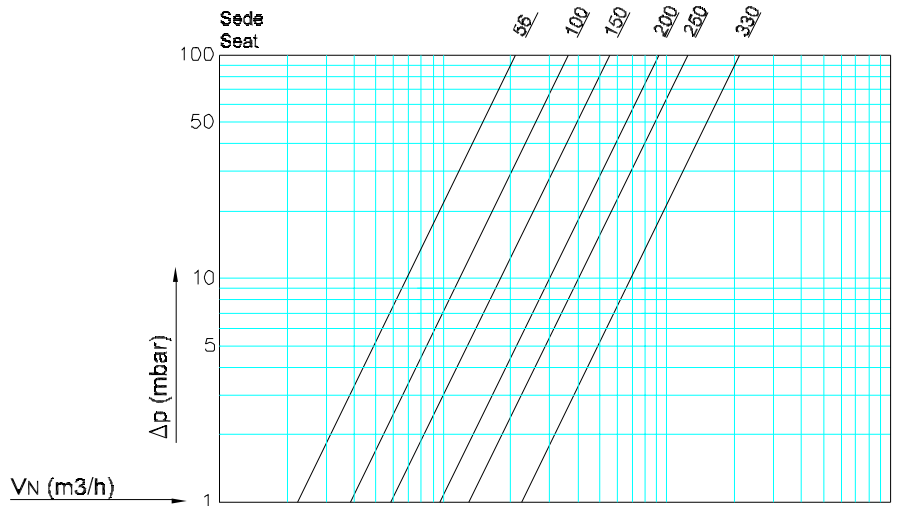
## TECHNICAL FEATURES

<b>Valve and actuator body</b>	Die-cast aluminium	<b>Supply voltage</b>	230V, 115V or 24V/50-60 Hz
<b>Rating feature</b>	linear	<b>Nominal load</b>	7 VA
<b>Control ratio</b>	25:1	<b>Enclosure</b>	IP 54 according to IEC 529
<b>Operating pressure</b>	max 1 bar	<b>Duty cycle</b>	Continuous 100%
<b>Ambient temperature</b>	-10 ÷ +60 °C	<b>Potentiometer/s</b>	150; 1000; 2500 ohm
<b>Opening/closing time</b>	30 s or 60 s / 90°	<b>Input signal</b>	4÷20 mA or 0-10V dc
<b>On request</b>	7.5s or 15 s / 90°	<b>Output signal (on request)</b>	4÷20 mA or 0-10V dc
<b>Flanged connections</b>	PN 16 According to ISO 7005	<b>Rating of auxiliary switches</b>	0,50 A / 48V dc and ac

## FEATURES

- Sturdy, compact construction, especially suitable for industrial applications
- Installation in any position
- Low internal leakage with valve in closed position
- Mechanical position indicator
- Adjustable rotation angle
- Manual/automatic control station
- Wide range of accessories on request:
  - 1 or 2 potentiometers ranging from 150 ohm to 2,5 kohm
  - 2 adjustable auxiliary microswitches with free electric contacts
  - input control signal: 4÷20 mA or 0÷10V dc
  - output signal: 4÷20 mA or 0÷10V dc

# FLOW CHART



Aria Air	dv=1	
Metano Methane	dv=0,64	
Gas di città Town gas	dv=0,45	
Propano Propane	dv=1,56	
Butano Butane	dv=2,09	
G.P.L. L.P.G.	dv=1,70	

## CODE

### D1= Valve body

Orifice mm <sup>2</sup>	Flange DN
<b>56</b> = 560	<b>P</b> = DN50
	<b>Q</b> = DN65
<b>100</b> = 1009	<b>P</b> = DN50
	<b>Q</b> = DN65
	<b>R</b> = DN80
<b>150</b> = 1485	<b>Q</b> = DN65
	<b>R</b> = DN80
<b>200</b> = 2003	<b>Q</b> = DN65
	<b>R</b> = DN80
<b>250</b> = 2500	<b>R</b> = DN80
	<b>S</b> = DN100
<b>330</b> = 3300	<b>S</b> = DN100

D1 56

P

### AR2= Rotary gear motor

Supply voltage at 50 - 60 Hz

- A** = 24 V ac / 50 - 60Hz
- B** = 110 V ac / 50 - 60Hz
- C** = 230 V ac / 50 - 60Hz

Rotation time at 50 Hz

- 2** = 30 s
- 3** = 60 s

Feedback potentiometer

- 00** = no pot
- 11** = 1 pot. 150 ohm
- 13** = 1 pot. 1000 ohm
- 15** = 1 pot. 2500 ohm
- 25** = 2 pot. 2500 ohm

Auxiliary microswitches

- 0** = no
- 2** = 2 (standard)

Accessories

- S** = Control station Auto/Man. (standard)
- A1** = Auxiliary shaft  $\varnothing$  8 mm
- A2** = Auxiliary shaft  $\square$  9,5 mm
- E2** = In 4  $\div$  20 mA or 0  $\div$  10V dc, Out 0  $\div$  10V dc
- E4** = In 0  $\div$  10V dc
- E5** = In 4  $\div$  20 mA
- E7** = In 4  $\div$  20 mA Out 0  $\div$  10V dc
- E8** = In 4  $\div$  20 mA Out 4  $\div$  20 mA
- Z** = Version IP65

AR2

A

3

00

0

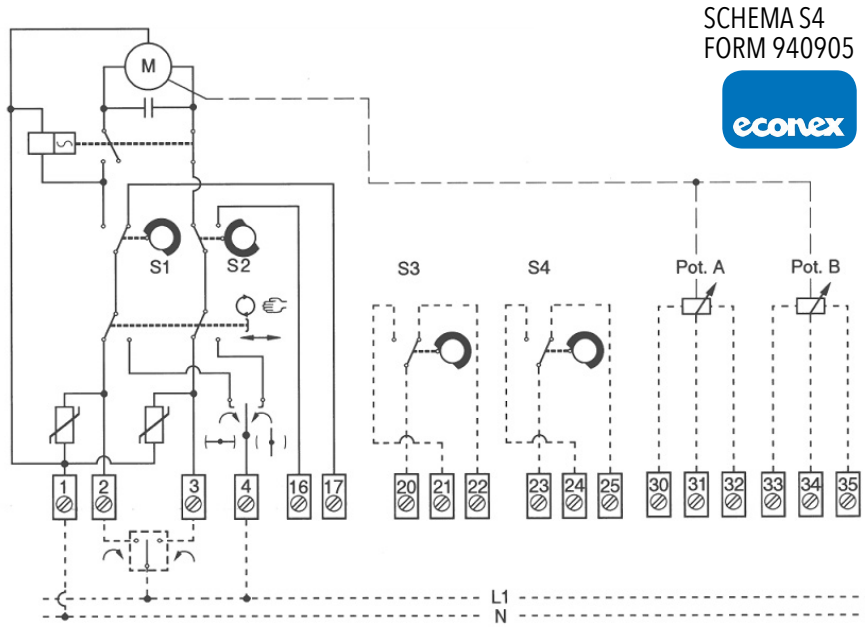
-

S

E4

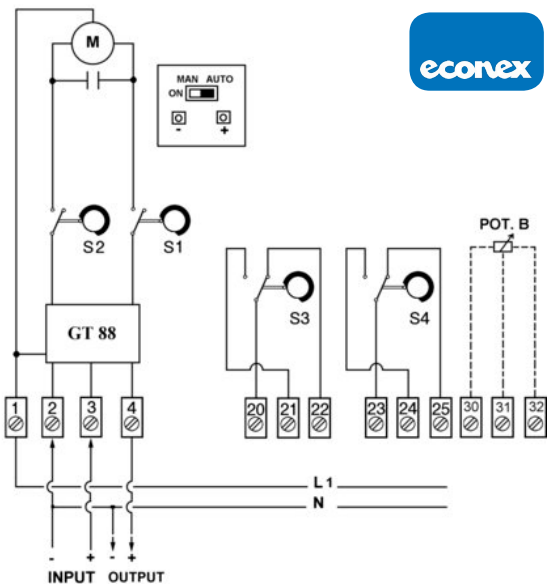
P.S. The maximum torque on the auxiliary shaft is 3 Nm

ELECTRIC FLOATING VERSION



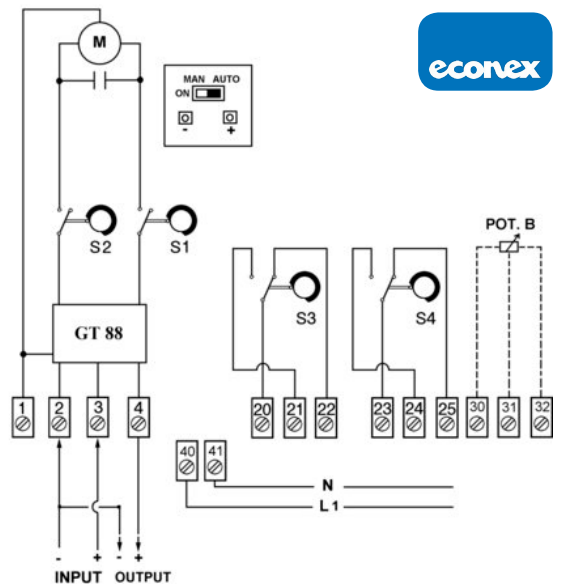
ELECTRONIC ANALOGIC VERSION 24V

SCHEMA GT 88 CG/2  
FORM 07/13

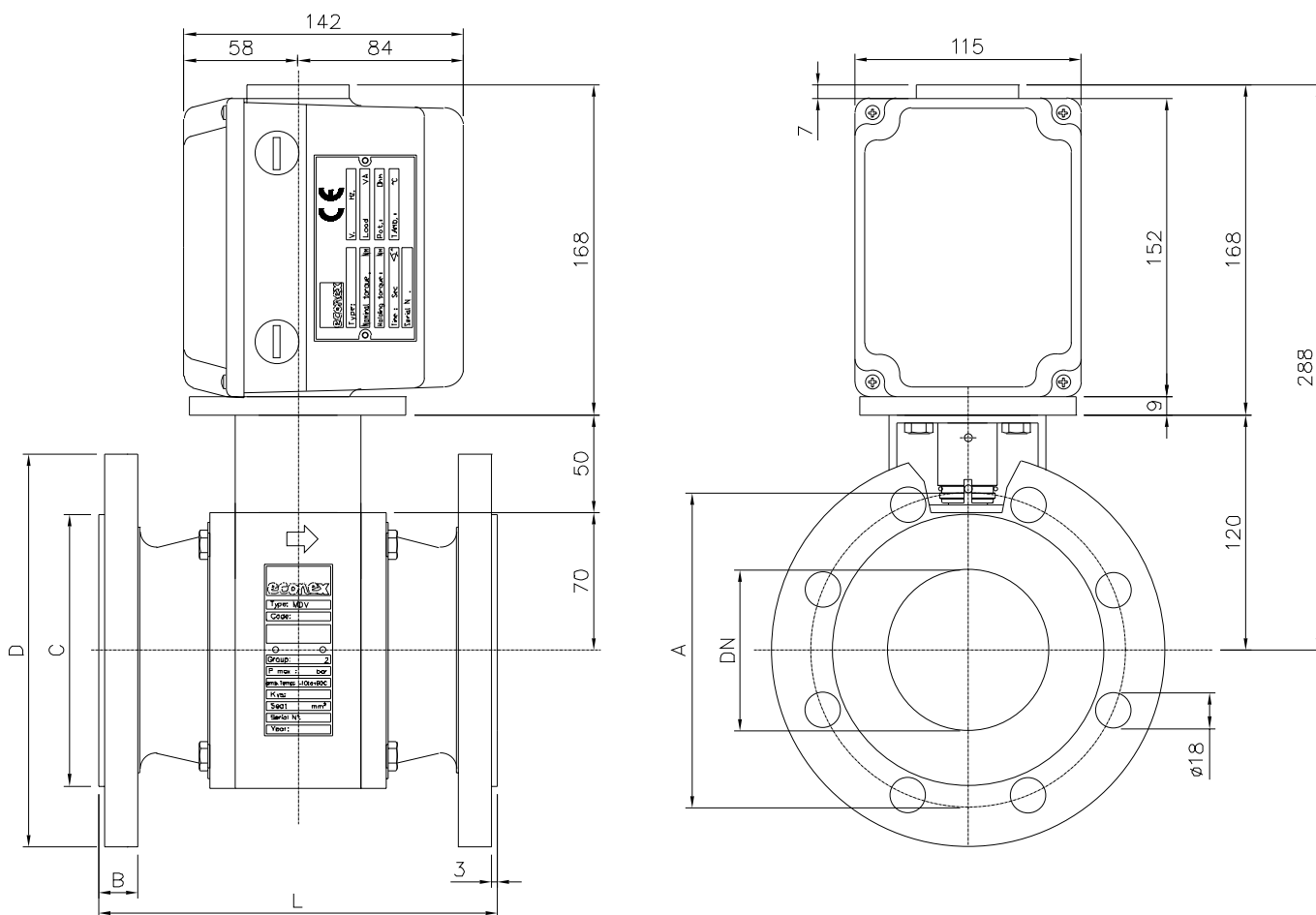


ELECTRONIC ANALOGIC VERSION 115 - 230V

SCHEMA GT 88 CG/2 - 1  
FORM 14/14



# DIMENSIONS



DN	PN	A	B	C	D	L	Holes n°	Weight Kg
50	16	125	18	102	165	191	4	7,5
65	16	145	18	122	185	191	4	8
80	16	160	20	138	200	203	8	9
100	16	180	20	158	220	229	8	11

All the reported data are subject to be changed without notice.

form140918

**econex**

Econex s.r.l. - Via Francesco De Sanctis, 53 - I-20141 Milano  
 Tel. +39 0289502912 - Fax +39 028463084 - www.econex.it - info@econex.it