



Pictures might not correspond with technical data

Fire and Smoke Damper Actuator ASRFS

ECONEX ASRFS series Fire and Smoke damper actuators are designed specifically for fire and smoke application. During normal operation, the actuator motorized the damper. In event of fire or smoke emergency, the actuator springs back to its original position when there is power outage or trip by thermal sensor.

TECHNICAL FEATURES

Torque	3 - 5 - 10 - 15 Nm		Protection class	III ⚡ 24V and II ⚡ 230V	
Damper size	0.5 - 1 - 2 - 3 m ²		Angle of rotation	0°...90° (95° mechanical)	
Shaft dimensions	3 Nm	Form fit 12 mm square	Weight	3 Nm	1.2 Kg
	5 Nm	Form fit 12 mm square		5 Nm	1.6 Kg
	10 Nm	Form fit 12 mm square		10 Nm	2.6 Kg
	15 Nm	Form fit 12 mm square		15 Nm	2.6 Kg
Minimum shaft length	40 mm		Life cycle	60'000 rotation	
Actuator cable	1000 mm cable connection		Sound level	M. 45 dB (A) S. 65 dB (A)	
Power supply	AC/DC 24V ± 15% - 50-60 Hz		IP protection	IP 54 (in vertical mounting)	
	AC 230V ± 10% - 50-60 Hz		Operating temperature	-20°...+50° C / IEC 721-3-3	
Control signal	2 point (open-closed) or modulating only AC/DC 24V		Non-operating temperature	-40°...+70° C / IEC 721-3-2	
Input signal	0-10V DC		Ambient humidity	5%...95% rH non condensing EN 60730-1	
Output signal	0-10V DC				
Auxiliary switch rating	3(1.5) A, AC 250V (SPDT) 2 Fixed		Maintenance	Maintenance free	
Power consumption operating and end position	3 Nm	2.5 W (1.6 W)	Mode of operation	Type I / EN 60730-1	
	5 Nm	5.0 W (2.5 W)	EMC	CE according to 2004 /108/EC	
	10 Nm	5.0 W (2.5 W)	UL listing	UL 873	
	15 Nm	6.0 W (2.5 W)	Customer version	on request	
For wire sizing	3 Nm	7.0 VA	Thermal Sensor	72°C (optional)	
	5 Nm	10 VA			
	10 Nm	10 VA			
	15 Nm	10 VA			

MODELS

ASRFS = Spring return actuator Fire and Smoke

Torque

- 3Nm** = 70s (15s closing time by spring)
- 5Nm** = 65s (15s closing time by spring)
- 10Nm** = 100s (15s closing time by spring)
- 15Nm** = 120s (15s closing time by spring)

Power supply

- A** = 24V AC/DC
- C** = 230V AC 50-60 Hz

Auxiliary switches

- 2** = With n° 2 aux switches

Control signal

- S** = Manual shaft release (On - Off version)
- SE1** = Input 0÷10V DC, output 0÷10V (only 24V AC/DC)

Optional

- TS** = Termal Sensor 72°C

ASRFS

5

A

2

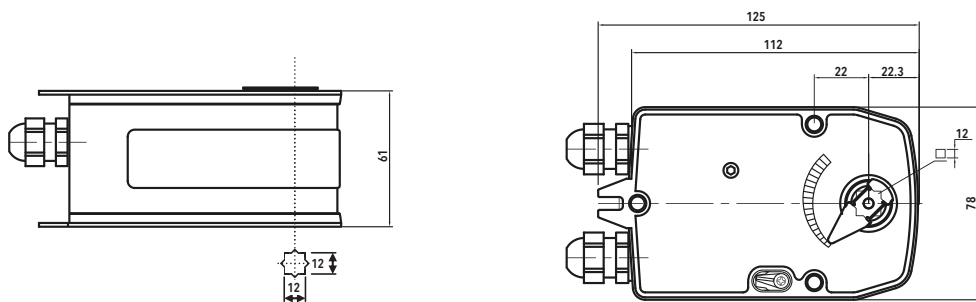
SE1

TS

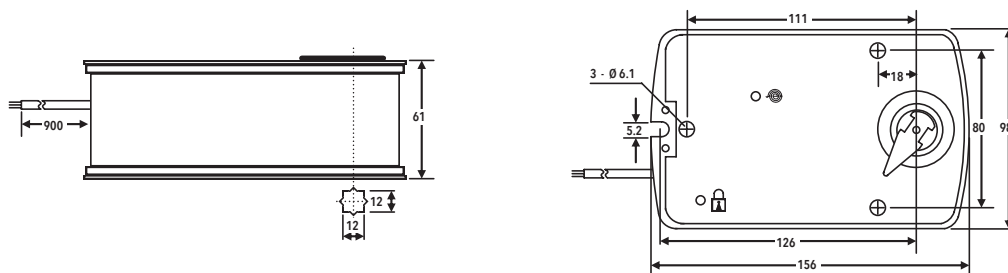
Selected Example: ASRFS5A2SE1TS

DIMENSIONS

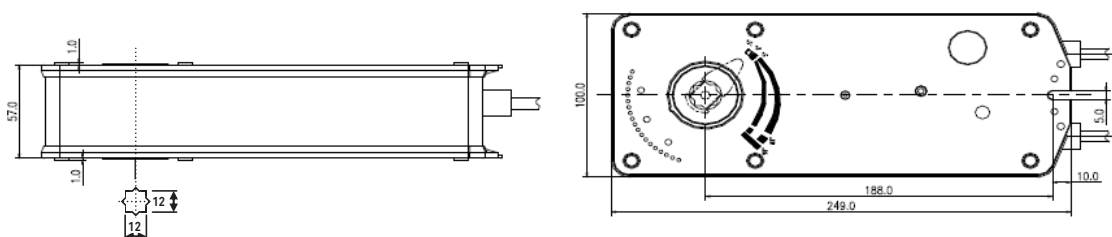
3 Nm



5 Nm

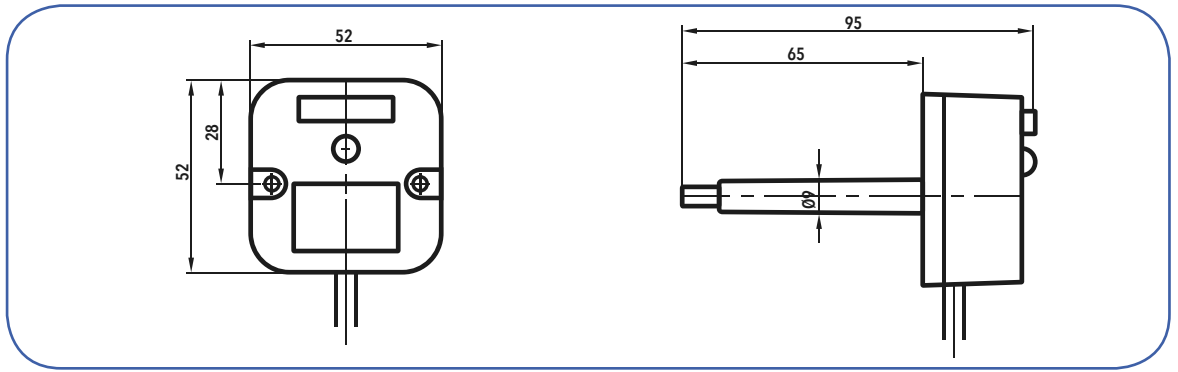


10 Nm/
15 Nm



TS
Thermal
Sensor 72°C

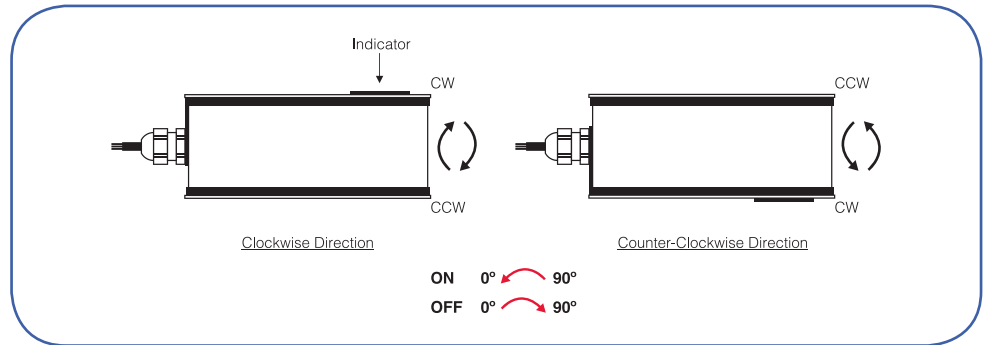
When duct temperature over 72°C TS will be cut.



ROTATION ADJUSTMENT & AUXILIARY SWITCHES

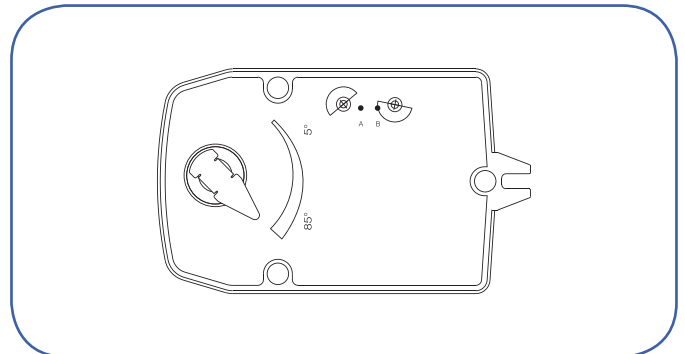
CHANGING DIRECTION OF ROTATION

ASRFS Actuator can be mounted in 2 direction, one CW, the other CCW.



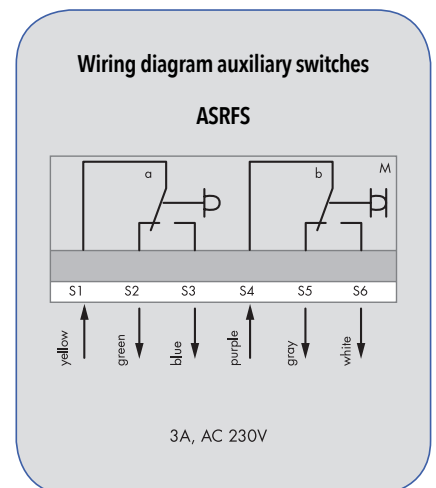
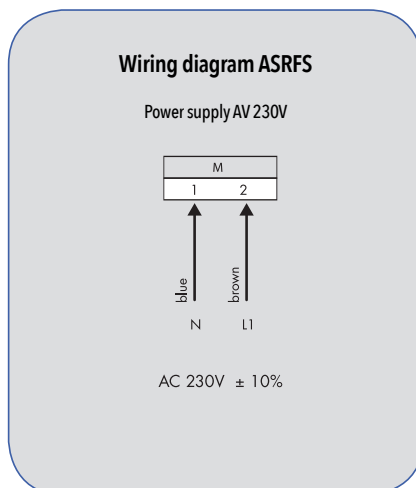
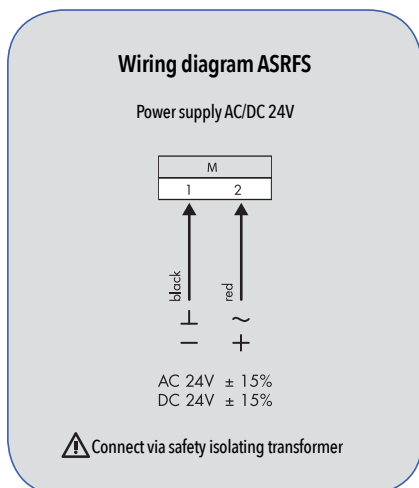
AUXILIARY SWITCHES ASRFS

The auxiliary switches for ASRFS actuators are not adjustable. The switching points are fixed by factory at 5° for switch **a** and at 85° for switch **b**.



WIRING DIAGRAM

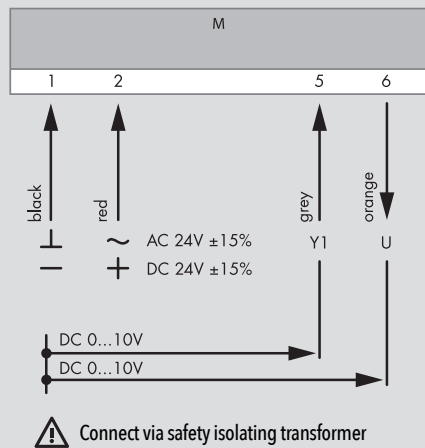
ON-OFF VERSION



MODULATING VERSION

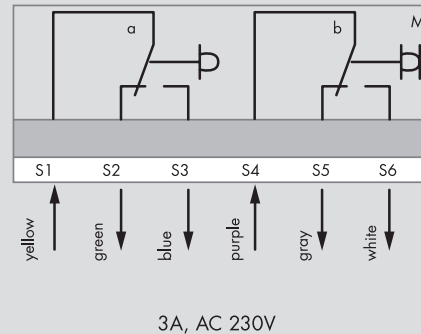
Wiring diagram ASRFS

Power supply AC/DC 24V



Wiring diagram auxiliary switches

ASRFS



SAFETY NOTES

- The ASRFS actuators are not allowed to be used outside the specified field of application as described at the front page of this data sheet.
- Only to be installed by skill educated persons. Any legal regulations or issued by authorities must be observed during installation.
- The ASRFS actuator may only be opened by ECONEX manufacturer site. Device does not contain any parts that can be replaced by user.
- The electrical connection cable must not be removed from the ASRFS actuator.
- This actuator includes electrical and electronic components and may not be disposed as household garbage. Please consider the local valid legislation.
- AC 24V - 50/60 Hz - DC 24V: Connect via safety isolating transformer.
- AC 230V: To isolate from the main power supply, the system must incorporate a device which disconnects the phase conductor (with at least 3 mm contact gap).

IMPORTANT REMARKS

This actuator includes electrical and electronic components and may not be disposed as household garbage. Please consider the local valid legislation.

AC/DC 24V: Connect via safety isolating transformer. AC 230V: To isolate from the main power supply, the system must incorporate a device which disconnects the phase conductor (with at least a 3 mm contact gap).

Consult ECONEX representatives for specific requirements and material selections for your intended application. The entire content of this technical datasheet is protected by copyright with all rights reserved ©.

The performance specifications are nominal and conform to acceptable industry standards. ECONEX shall not be liable for damages resulting from misapplication or misuse of its products.

CUSTOMISED VERSION

ECONEX offers you actuators in customised versions, e.g. with your own brand name, with colour-coordinated applications and with your particular demand on request.

Please contact us for further information.

All the reported data are subject to be changed without notice.

from 210413

econex

Econex s.r.l. - Via A. Einstein, 2 - 20057 Assago (MI) - Italy
Tel. +39 0289502912 - Fax +39 028463084 - www.econex.it - info@econex.it